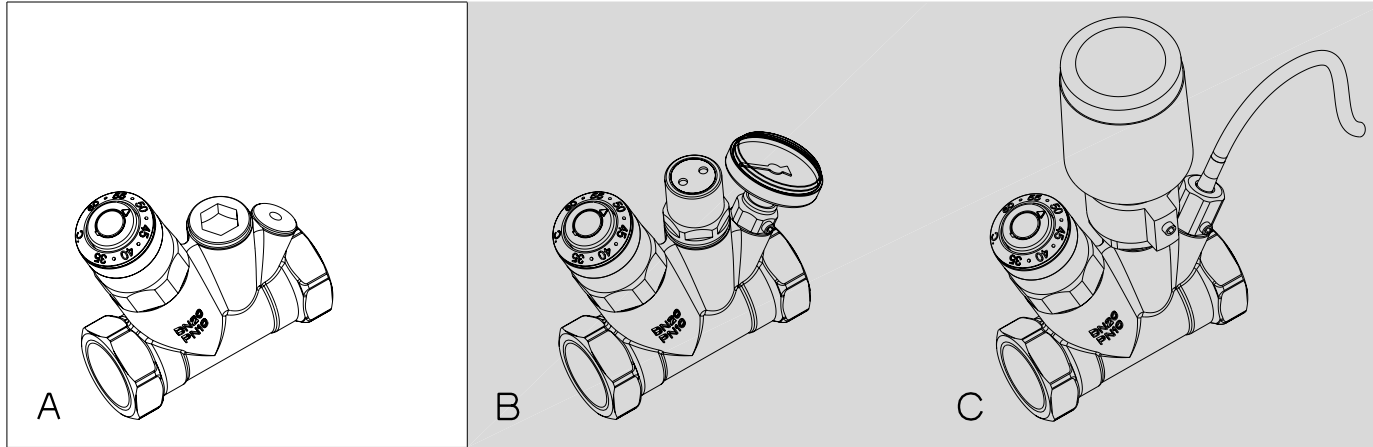
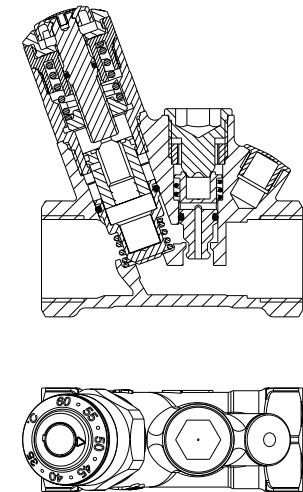
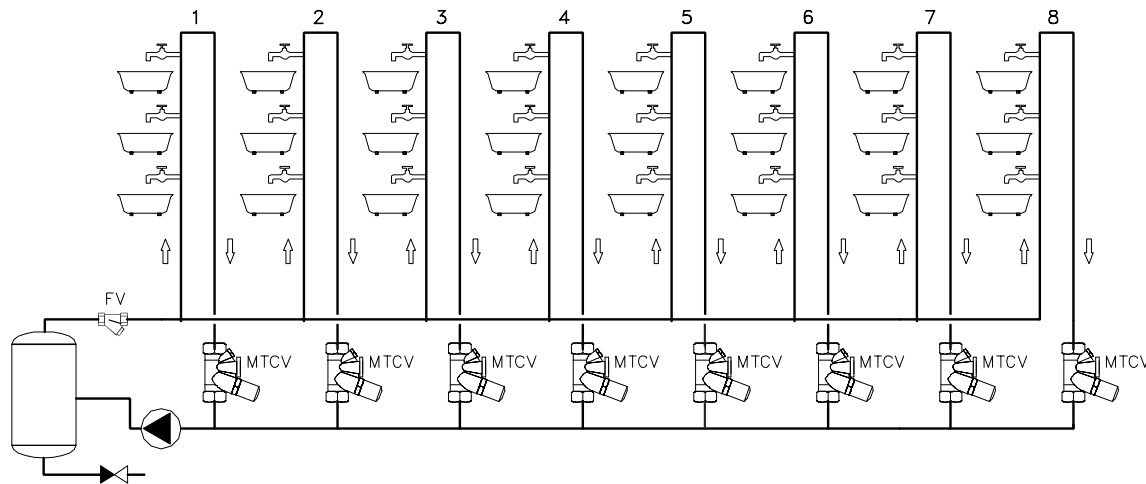


# Instructions

## MTCV - RWC



DN	15	20
T <sub>range</sub>	35 - 60 °C	35 - 60 °C
T <sub>set</sub>	50 °C	50 °C
PN	10 bar	10 bar
Δp <sub>max</sub>	1 bar	1 bar
T <sub>max</sub>	100 °C	100 °C
k <sub>vs</sub> (20 °C)	1.5 m <sup>3</sup> /h	1.8 m <sup>3</sup> /h



# Instructions

# MTCV - RWC

